



Our sign
Chris Fruck

Tel. (905) 670 0960

Fax (905) 670 0728

Date
April 12, 2016

Circular

322

Receiving reference:

Specified Customers

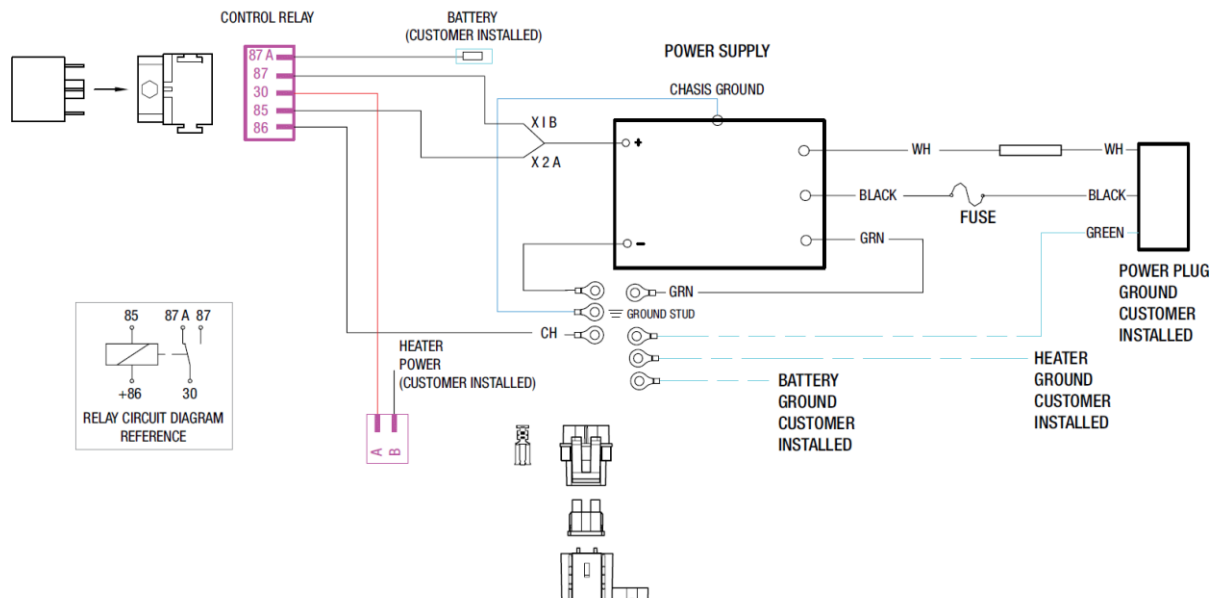
Premature Heater Shut-Down Awareness: ECHO 8 20.2818.90.0828 Relay Harness

Ladies and Gentlemen,

Possible premature heater shut down may occur when the heater of the Echo 8 is running on shore power and the shore power is unplugged. There is a time delay when switching between the shore and battery power. This delay could shut off the heater without a cool down period and possibly cause damage to the heater. To correct this, the relay will need to be removed from the circuit.

Below are instructions with wiring diagram for the required changes.

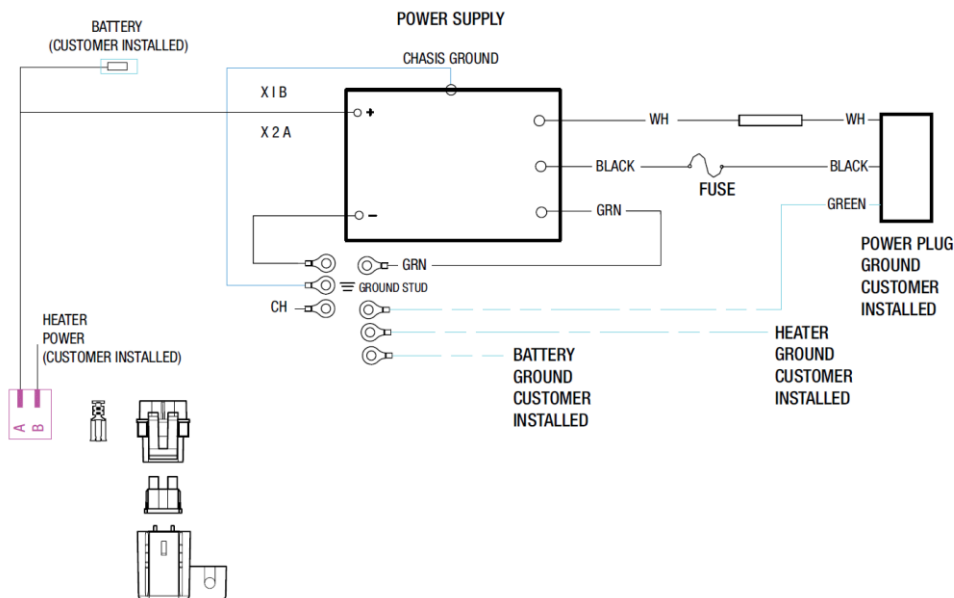
Current Wiring Diagram





- Disconnect the heater power wires from vehicle battery and also ensure that the shore power is NOT plugged in
- Remove the two white wires X1B and X2A from the positive side of the power inverter
- Remove relay and housing from the heater box.
- Remove the white wires from terminal 30 and 87A on the relay housing. Discard the relay and relay housing with remaining wires
- Cut and strip the ends of the two wires
- Fit both wires into the positive terminal of the power inverter to ensure proper fit, then remove to apply solder to the end of the wires
- After the wire ends have been soldered insert and secure both wires back into the inverter.
- Reconnect the power wires back on to the vehicle battery and test run heater

Diagram with the Relay Removed





Warranty Information

The effected kits will be revisions prior to the current revision 20.2818.90.0828.0D and build date prior to 11/27/2015.

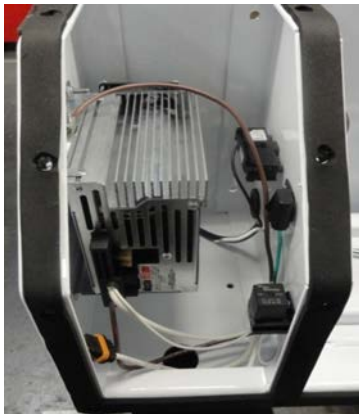
All claims will need to be submitted under claim # WA 16-03004. The warranty time allotted for this repair is a maximum of 1.5 hours.

Mandatory Warranty Claim Information

- Claim # WA 16-03004
- Serial number
- Photo of label (inside the heater box/enclosure)

Claims submitted after September 30, 2016 will not be accepted.

Harness with Relay



Harness with Relay Removed



Best regards
Espar Products, Inc.

Mike Galloway
Product Development Manager
Climate Control Systems

Chris Fruck
Project Co-ordinator
Climate Control Systems